

DESIGNED FOR  
PERFECTION



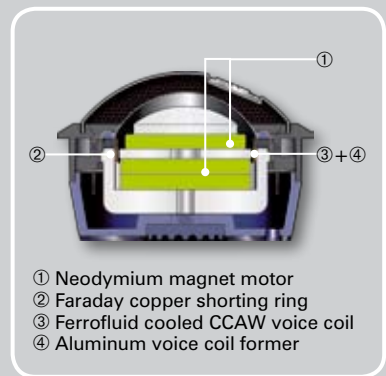
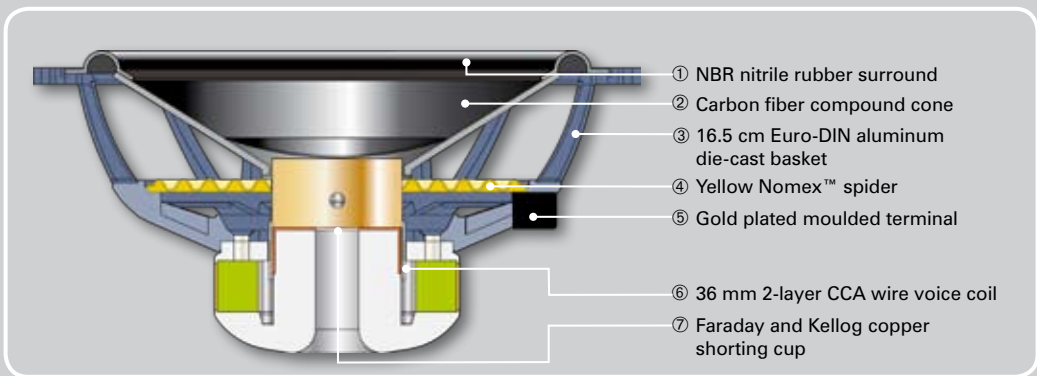


**RA16RF**  
 2 x MIDWOOFER RA16RF  
 2 x CROSSOVER RA16RF  
 2 x TWEETER RA28RF

**16.5 CM 2-WAY COMPONENT SYSTEM**

“Designed for perfection” exactly defines what Radical Audio is aiming at, paving a path for groundbreaking innovations in the speaker realm – a goal only to be achieved when all aspects of speaker design and construction are reconsidered and pushed to new boundaries. With the new RA16RF component system of the Reference line, Radical Audio is proud to present a 2-way 16.5 cm Euro-DIN speaker set that rewards the listener with ultimate sound quality, due to all the innovative features deployed. The mid/woofer construction stands out with a cast aluminum

basket incorporating a totally redesigned Neo magnet motor, driving a carbonfiber compound cone of extreme stiffness – for a firm bass and highly resolved mids. The new REF tweeter wins a prize not only for palpable and crisp high frequency response, but also for its compact dimensions, featuring a new 28 mm synthetic silk dome. The high-end crossover enables to tailor the tweeter response with jumpers for treble and presence attenuation, giving the user full control over the resulting in-car frequency balance. Perfect and flawless, for those that want to own the best there is.



**TECHNICAL DESIGN FEATURES**

**MID/WOOFER RA16RF**

- 16.5 cm Euro-DIN aluminum die-cast basket
- Backvented basket design
- Advanced neodymium magnet motor
- Faraday and Kellogg copper shorting cup
- Carbon fiber compound cone
- NBR nitrile rubber surround
- Yellow Nomex™ spider

- 36 mm 2-layer CCA wire voice coil
- Polyimide voice coil former
- Gold plated moulded terminal

**TWEETER RA28RF**

- 28 mm neodymium soft dome tweeter
- Synthetic silk dome diaphragm
- Neodymium magnet motor
- Faraday copper shorting ring
- Ferrofluid cooled CCA wire voice coil

- Aluminum voice coil former

**CROSSOVER RA16RF**

- Bi-amping / bi-wiring input & output
- Tweeter attenuation by 4-position jumper
- Presence attenuation by 2-position jumper
- FR4 glass fiber epoxy circuit board
- High quality inductors/capacitors
- Gold plated moulded screw terminal

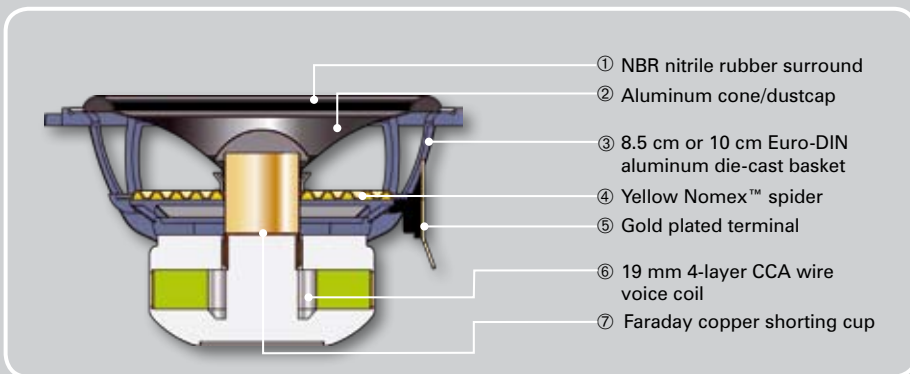
## REFERENCE SYSTEMS



### FULLRANGE UNITS

The fullrange speakers RAX85/RAX100 are an alternative to either 8.5 cm and 10 cm component or coaxial models, because fullrange units distinguish themselves by a natural and coherent sound, compared to 2-way coaxials or compos, where the crossover always causes group delay, smearing of transients etc. The second big advantage of a fullrange speaker is the missing tweeter unit, thus the fullrange model usually mounts right underneath the factory grille without any further modifications or mounting tricks. The superb craftsmanship of the RAX fullrange speaker units is

obvious at first sight. The small basket ribs avoid reflections from the rear side of the Aluminium cone and the resulting sound quality can only be tagged as "transparent" and "natural". Of course, both fullrange speaker models easily qualify for use in fully active 3-way systems. Running the RAX units as mids will end all discussions that existed about macro- and microdynamics, resolution and the never ending quest for a better sound quality.



### TECHNICAL DESIGN FEATURES

#### FULLRANGE UNITS RAX85, RAX100

- 8.5 cm or 10 cm fullrange speaker
- Euro-DIN aluminum die-cast basket
- Backvented basket design
- Underhung neodymium magnet motor
- Faraday and Kellogg copper shorting cup
- Aluminum cone/dustcap
- NBR nitrile rubber surround
- Yellow Nomex™ spider
- 19 mm 4-layer CCA wire voice coil
- Polyimide voice coil former
- Gold plated terminal

Technical Data	RA16RF
Continuous Input Power	175 W RMS
Sensitivity	89.5 dB /1W/1m
Nominal Impedance	4 ohms
Frequency Response (-3 dB)	50 Hz–20 kHz
Mounting Diameter	145 mm
Mounting Depth	71 mm

Technical Data	RAX85	RAX100
Continuous Power Handling	50 W RMS	70 W RMS
Sensitivity	84.6 dB/1W/1m	87.3 dB/1W/1m
Nominal Impedance	4 ohms	4 ohms
Frequency Response (-3 dB)	100 Hz–20 kHz	90 Hz–20 kHz
Mounting Diameter	78 mm	95 mm
Mounting Depth	50 mm	57 mm



RADICAL AUDIO INC.  
15584 E. Gale Avenue  
Hacienda Heights  
CA 91745, U.S.A.  
[www.radical-audio.com](http://www.radical-audio.com)

Exclusive Distributor for  
Europe and Asia:  
ACR AG · Bohrturmweg 1  
CH-5330 Bad Zurzach · Switzerland  
Phone (+41) 056-269 64 64  
Fax (+41) 056-269 64 65  
E-Mail: [info@acr.eu](mailto:info@acr.eu)

Authorized RADICAL AUDIO dealer: